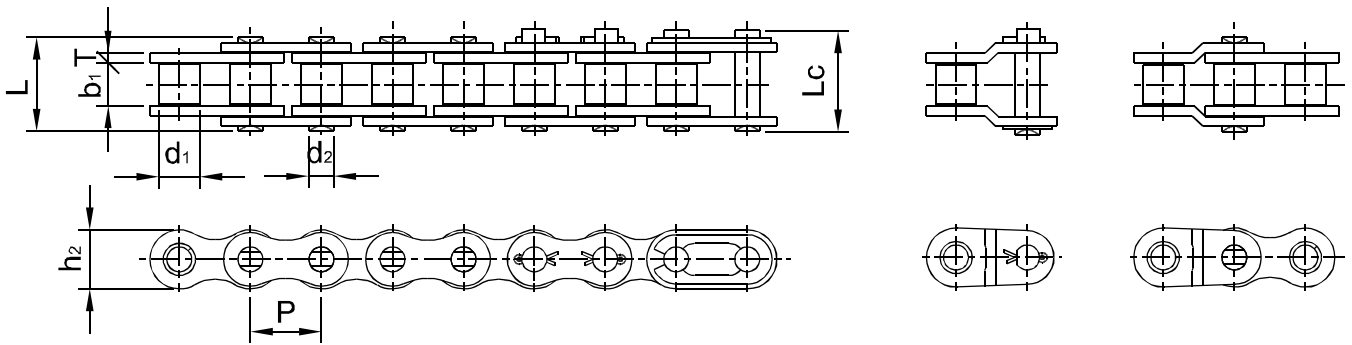
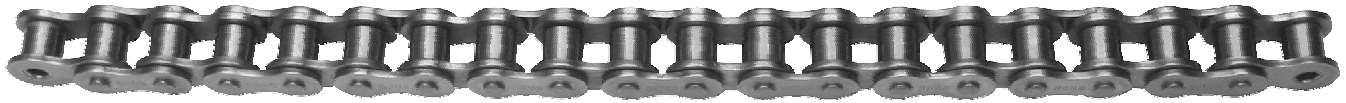


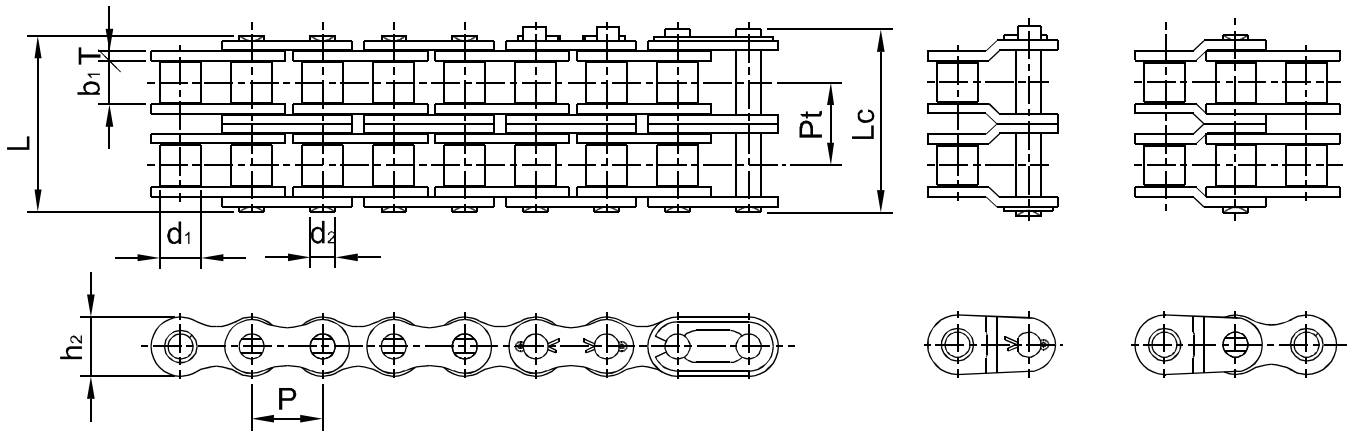
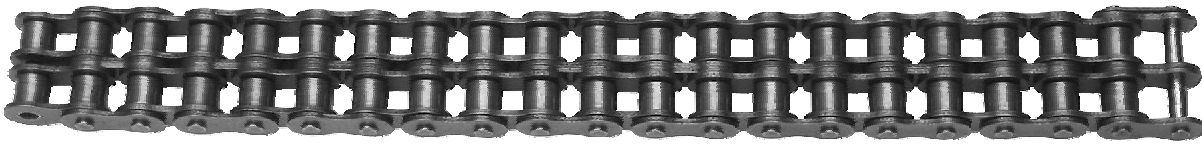
AMERICAN STANDARD ROLLER CHAIN SHORT PITCH SINGLE STRAND



ISO/ DIN Chain No.	ANSI Chain No.	Pitch	Roller diameter	Width between inner plates	Pin diameter	Pin length		Inner plate depth	Transverse Pitch	Plate thickness	Ultimate tensile strength	Average tensile strength	Weight per meter
						L max	Lc max						
						mm	mm						
*04C-1	*25	6.35	3.30	3.10	2.31	8.00	9.90	6.02	-	0.80	3.50	4.40	0.14
*06C-1	*35	9.525	5.08	4.68	3.58	12.40	14.40	8.70	-	1.30	7.90	10.40	0.33
085-1	41	12.70	7.77	6.25	3.58	13.75	16.00	9.91	-	1.25	6.70/6.80	11.80	0.41
08A-1	40	12.70	7.95	7.85	3.96	16.60	19.10	12.07	-	1.50	13.80/14.10	17.80	0.62
10A-1	50	15.875	10.16	9.40	5.08	20.70	23.30	15.09	-	2.06	21.80/22.20	28.00	1.02
12A-1	60	19.05	11.91	12.57	5.94	25.90	28.60	18.08	-	2.44	31.10/31.80	39.00	1.50
16A-1	80	25.40	15.88	15.75	7.92	32.70	38.00	24.13	-	3.26	55.60/56.70	71.50	2.60
20A-1	100	31.75	19.05	18.90	9.53	41.10	44.90	30.18	-	4.00	86.70/88.50	102.00	3.91
24A-1	120	38.10	22.23	25.22	11.10	50.80	56.10	36.20	-	4.80	124.60/127.00	156.90	5.62
28A-1	140	44.45	25.40	25.22	12.70	54.90	60.80	42.24	-	5.65	169.00/172.40	210.80	7.50
32A-1	160	50.80	28.58	31.55	14.27	65.50	72.60	48.26	-	6.45	222.40/226.80	269.70	10.10
36A-1	180	57.15	35.71	35.48	17.46	72.80	83.00	54.31	-	7.25	280.20	327.80	13.45
40A-1	200	63.50	39.68	37.85	19.85	80.30	90.50	60.33	-	8.00	347.00/353.80	410.00	16.15
48A-1	240	76.20	47.63	47.35	23.81	95.50	106.00	72.39	-	9.50	500.40/510.30	585.40	23.20

* Bush Chain: d1 indicates the external diameter of the bushing.

AMERICAN STANDARD ROLLER CHAIN SHORT PITCH DOUBLE STRAND

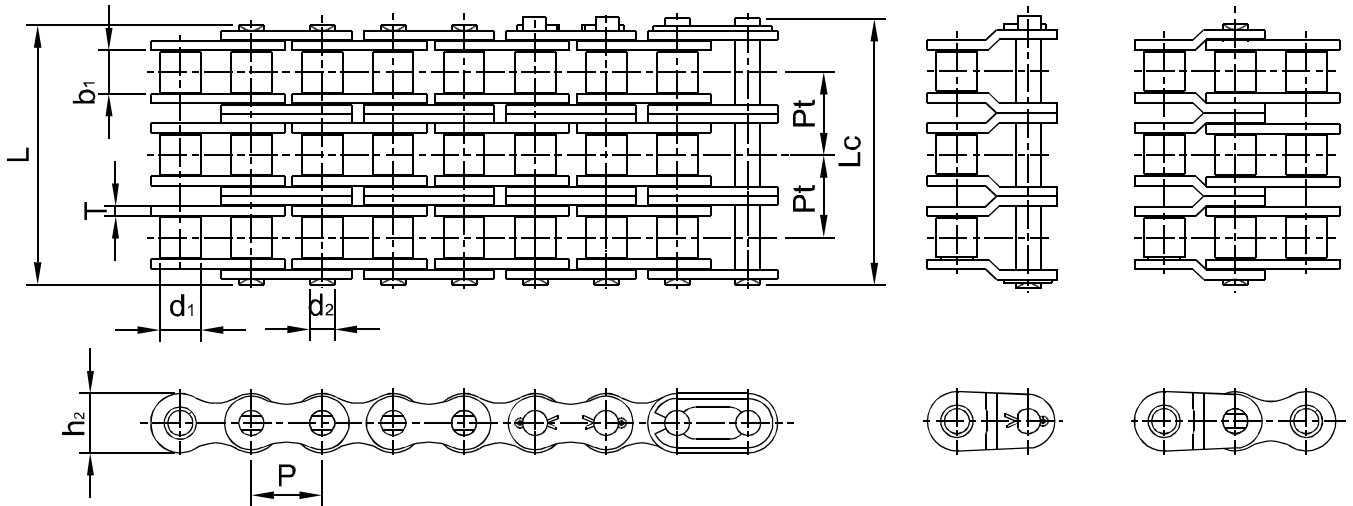
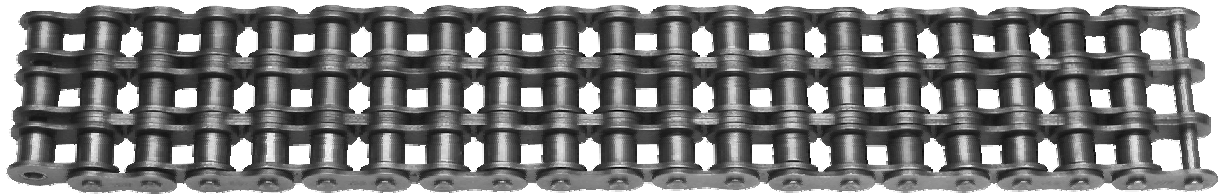


ISO/ DIN Chain No.	ANSI Chain No.	Pitch	Roller diameter	Width between inner plates	Pin diameter	Pin length		Inner plate depth	Transverse pitch	Plate thickness	Ultimate tensile strength	Average tensile strength	Weight per meter
						L max	Lc max						
		P	d ₁ max	b ₁ min	d ₂ max	L max	Lc max	h ₂ max	Pt	T	Q(ISO/DIN) min	Q ₀	q ≈
		mm	mm	mm	mm	mm	mm	mm	mm	mm	kN	kN	kg/m
*04C-2	*25-2	6.35	3.30	3.10	2.31	14.50	16.50	6.02	6.40	0.80	7.00	8.80	0.28
*06C-2	*35-2	9.525	5.08	4.68	3.58	22.50	24.50	8.70	10.13	1.30	15.80	20.80	0.63
08A-2	40-2	12.70	7.95	7.85	3.96	31.00	33.50	12.07	14.38	1.50	27.60/28.20	35.60	1.12
10A-2	50-2	15.875	10.16	9.40	5.08	38.90	41.30	15.09	18.11	2.06	43.60/44.40	56.00	2.00
12A-2	60-2	19.05	11.91	12.57	5.94	48.80	51.50	18.08	22.78	2.44	62.30/63.60	82.40	2.92
16A-2	80-2	25.40	15.88	15.75	7.92	62.70	67.10	24.13	29.29	3.26	111.20/113.40	143.00	5.15
20A-2	100-2	31.75	19.05	18.90	9.53	76.40	83.10	30.18	35.76	4.00	173.50/177.00	204.00	7.80
24A-2	120-2	38.10	22.23	25.22	11.10	96.30	101.60	36.20	45.44	4.80	249.10/254.00	313.80	11.70
28A-2	140-2	44.45	25.40	25.22	12.70	103.60	109.40	42.24	48.87	5.65	338.10/344.80	421.70	15.14
32A-2	160-2	50.80	28.58	31.55	14.27	123.30	130.20	48.26	58.55	6.45	444.80/453.60	539.40	20.14
36A-2	180-2	57.15	35.71	35.48	17.46	138.60	148.50	54.31	65.84	7.25	560.50	655.70	29.22
40A-2	200-2	63.50	39.68	37.85	19.85	151.90	161.50	60.33	71.55	8.00	693.90/707.60	820.00	32.24
48A-2	240-2	76.20	47.63	47.35	23.81	183.40	193.90	72.39	87.83	9.50	1000.80/1020.60	1170.80	45.23

*Bush Chain: d1 indicates the external diameter of the bushing.

AMERICAN STANDARD ROLLER CHAIN

SHORT PITCH TRIPLE STRAND



ISO/ DIN Chain No.	ANSI Chain No.	Pitch	Roller diameter	Width between inner plates	Pin diameter	Pin length		Inner plate depth	Transverse pitch	Plate thickness	Ultimate tensile strength	Average tensile strength	Weight per meter
		P	d_1 max	b_1 min	d_2 max	L max	Lc max	h_2 max	Pt	T	Q(ISO/DIN) min	Q_0	$q \approx$
		mm	mm	Mm	mm	mm	mm	mm	mm	mm	kN	kN	kg/m
*06C-3	*35-3	9.525	5.08	4.68	3.58	32.70	34.70	8.70	10.13	1.30	23.70	30.00	1.05
08A-3	40-3	12.70	7.95	7.85	3.96	45.40	48.00	12.07	14.38	1.50	41.40/42.30	51.20	1.90
10A-3	50-3	15.875	10.16	9.40	5.08	57.00	59.80	15.09	18.11	2.06	65.40/66.60	82.00	3.09
12A-3	60-3	19.05	11.91	12.57	5.94	71.50	75.60	18.08	22.78	2.44	93.40/95.40	115.00	4.54
16A-3	80-3	25.40	15.88	15.75	7.92	91.70	96.80	24.13	29.29	3.26	166.80/170.10	208.00	7.89
20A-3	100-3	31.75	19.05	18.90	9.53	112.20	117.20	30.18	35.76	4.00	260.20/265.50	310.00	11.77
24A-3	120-3	38.10	22.23	25.22	11.10	141.70	148.30	36.20	45.44	4.80	373.70/381.00	470.70	17.53
28A-3	140-3	44.45	25.40	25.22	12.70	152.20	158.30	42.24	48.87	5.65	507.10/517.20	632.50	22.20
32A-3	160-3	50.80	28.58	31.55	14.27	181.80	188.60	48.26	58.55	6.45	667.20/680.40	809.00	30.02
36A-3	180-3	57.15	35.71	35.48	17.46	204.40	214.50	54.31	65.84	7.25	840.70	983.60	38.22
40A-3	200-3	63.50	39.68	37.85	19.85	223.50	232.90	60.33	71.55	8.00	1040.90/1061.40	1230.00	49.03
48A-3	240-3	76.20	47.63	47.35	23.81	271.30	281.80	72.39	87.83	9.50	1501.30/1530.90	1756.20	71.60

* Bush Chain: d_1 indicates the external diameter of the bushing.