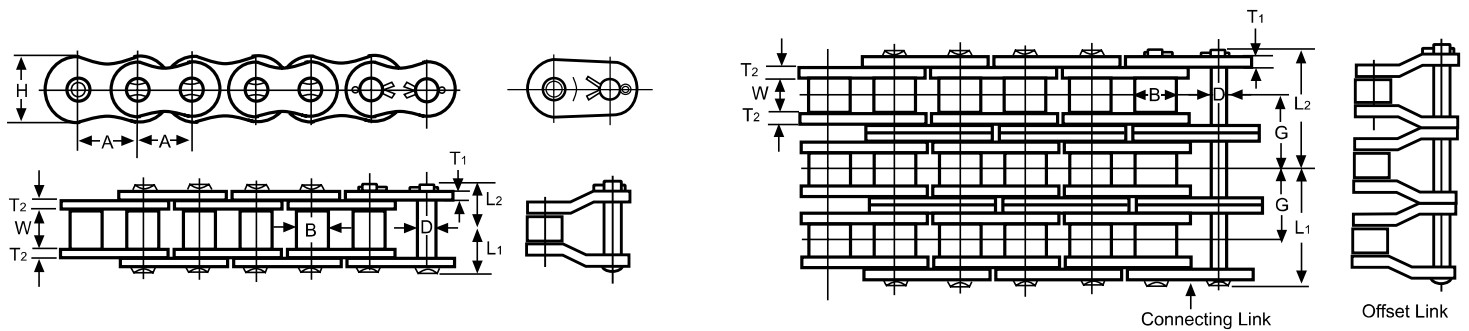


**QUICK  
REFERENCE  
GUIDE**

- Solid Bushings ➤ Solid Rollers ➤ High Grade Alloy Steel
- ISO R606 Standard ➤ 10' Lengths Standard
- Stainless Steel See Page 12 ➤ Attachments Available

HKK British Standard chain is manufactured to the same high quality specifications as our ANSI chain. Solid bushings and solid rollers dramatically increase chain life. Manufactured in accordance with ISO R606, HKK British standard chains are compatible with British standard B.S. 228 and German standard DIN 8187. Chains are supplied in 10-foot lengths. Attachment chains and stainless steel chains are available.



HKK British Chain No.	Pitch A	Roller		Pin Dia. D	Pin Height H	Plate		Overall Width		Transverse Pitch G	Average Ultimate Strength (lbs)	Avg. Weight Per Foot (lbs) Riveted
		Dia. B	Width W			P/L Thickness T1	R/L Thickness T2	L1	L2			
** HKK 04B	0.236	0.157	0.110	0.073	0.197	0.024	0.024	0.163	0.128	—	770	0.06
** HKK 05B	0.315	0.197	0.118	0.091	0.280	0.030	0.030	0.185	0.150	—	1,100	0.12
HKK 06B	3/8	0.250	0.225	0.129	0.457	0.039	0.049	0.240	0.276	0.403	2,300	0.29
HKK 06B-2								0.449	0.480		4,100	0.55
HKK 06B-3								0.650	0.677		5,950	0.84
HKK 08B	1/2	0.335	0.305	0.175	0.457	0.060	0.060	0.329	0.363	0.548	4,300	0.41
HKK 08B-2								0.602	0.638		7,700	0.85
HKK 08B-3								0.878	0.909		11,200	1.26
HKK 10B	5/8	0.400	0.380	0.200	0.571	0.065	0.065	0.374	0.422	0.653	6,000	0.60
HKK 10B-2								0.700	0.752		11,400	1.20
HKK 10B-3								1.030	1.091		17,100	1.79
HKK 12B	3/4	0.475	0.460	0.225	0.626	0.070	0.070	0.414	0.491	0.766	7,200	0.77
HKK 12B-2								0.819	0.878		13,700	1.53
HKK 12B-3								1.201	1.256		20,500	2.26
HKK 16B	1	0.625	0.670	0.325	0.792	0.122	0.154	0.691	0.805	1.255	17,500	1.74
HKK 16B-2								1.323	1.437		33,200	2.45
HKK 16B-3								1.957	2.071		49,800	5.16
HKK 20B	1-1/4	0.750	0.770	0.400	1.024	0.138	0.178	0.791	0.922	1.435	24,400	2.53
HKK 20B-2								1.512	1.657		46,300	4.88
HKK 20B-3								2.232	2.390		69,500	7.30
HKK 24B	1-1/2	1.000	1.000	0.576	1.315	0.193	0.233	1.050	1.222	1.904	41,100	4.90
HKK 24B-2								2.004	2.189		77,900	9.76
HKK 24B-3								2.957	3.142		116,800	14.62
HKK 28B	1-3/4	1.100	1.220	0.625	1.440	0.250	0.291	1.282	1.525	2.345	54,000	6.22
HKK 28B-2								2.457	2.772		102,600	12.40
HKK 28B-3								3.630	3.953		153,900	18.58
HKK 32B	2	1.150	1.220	0.701	1.642	0.250	0.272	1.284	1.550	2.305	62,500	6.68
HKK 32B-2								2.441	2.776		118,700	13.28
HKK 32B-3								3.594	3.941		178,100	19.90

\*\* Split Bushing Chains

Dimensions in inches & pounds